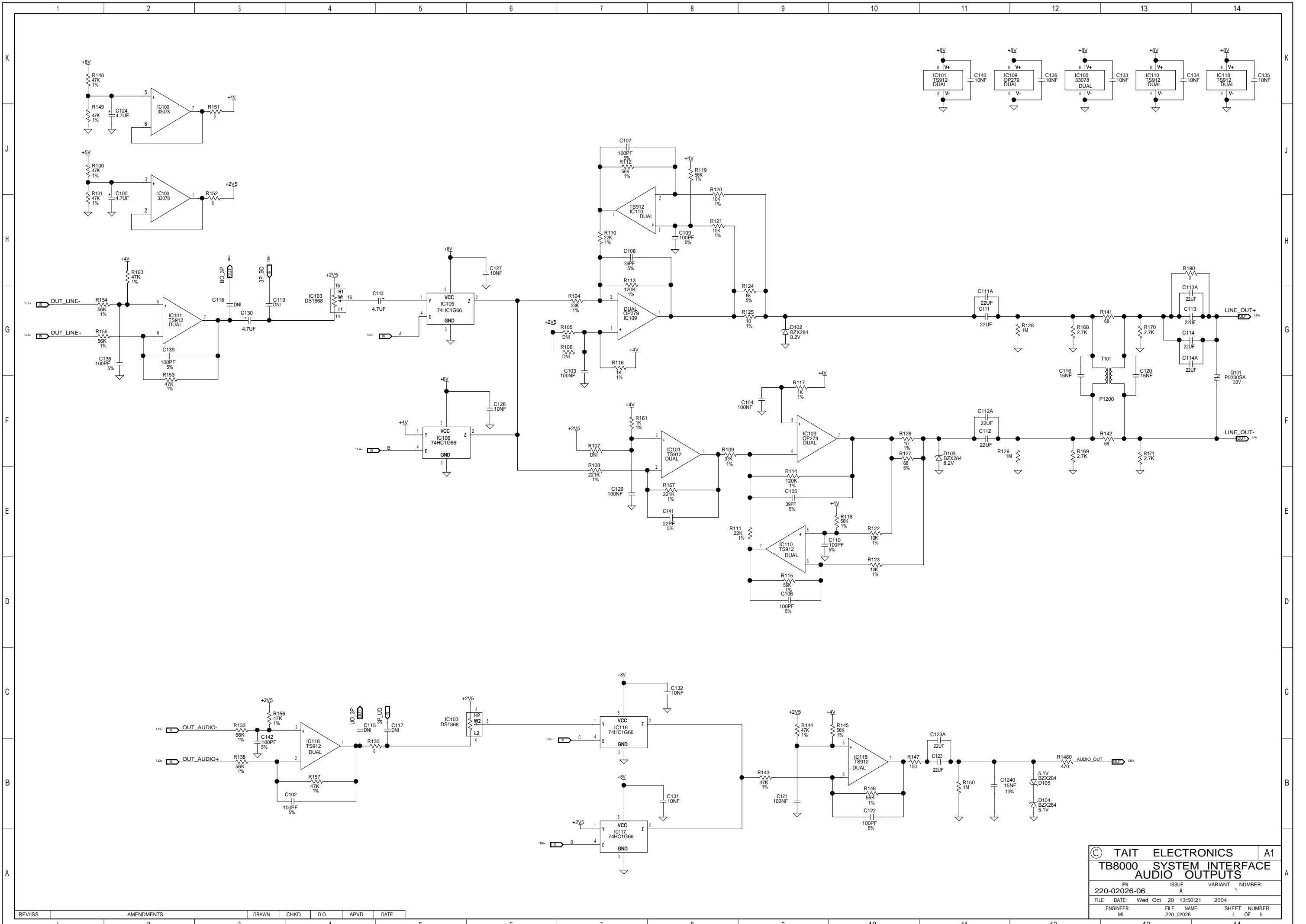


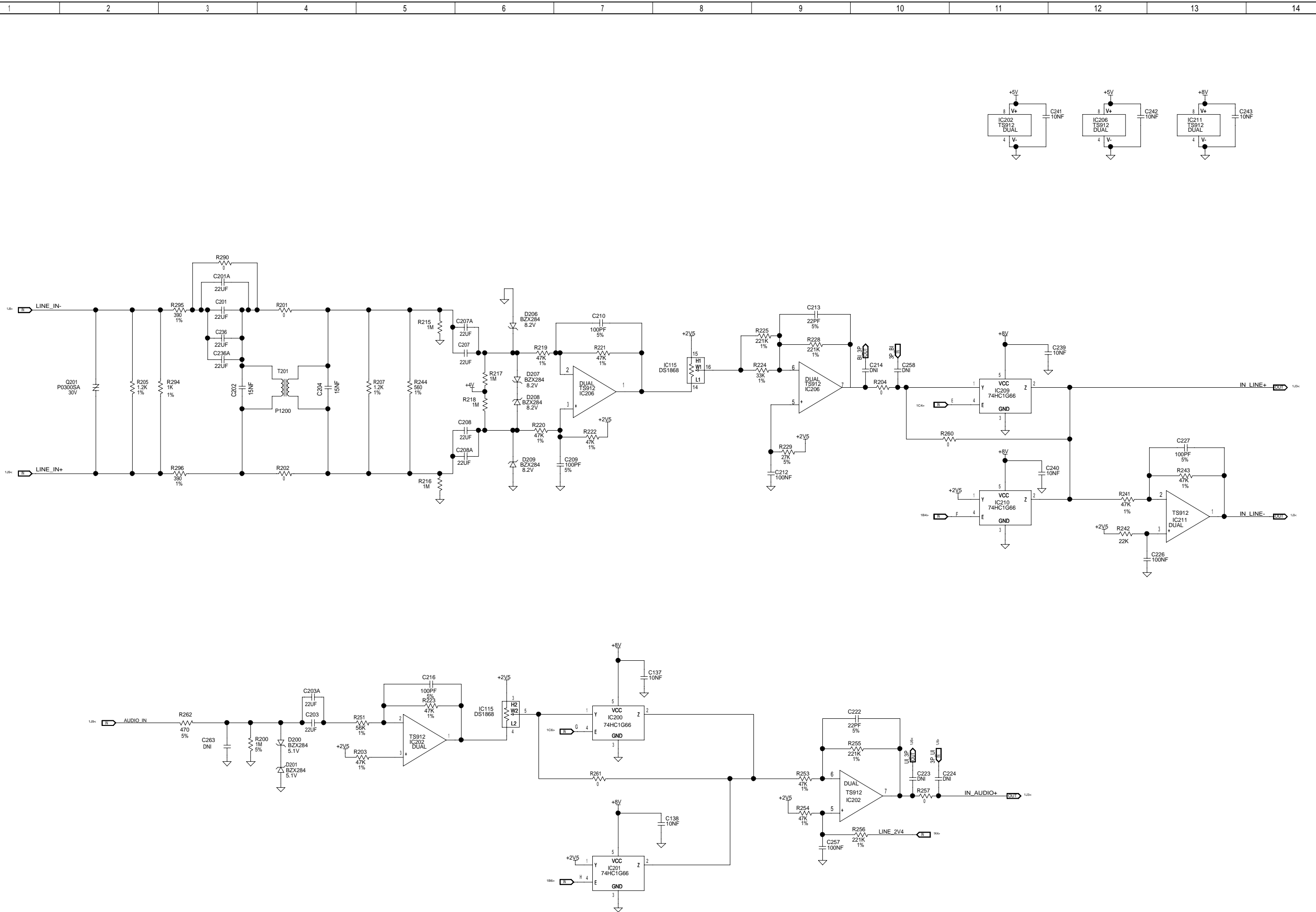
06A	DCO 02026-003	ADDITIONAL DIGITAL OUTPUTS ADDED	CJK	ML	CK	ML	29SEP04
05A	ECO 101200072		LA	LA	CK	LA	15/5/03
04A	DCO 02026-002		LA	LA	CK	LA	17/2/03
03A	CLONED FROM 220-02026-02		LA				9/2/02
02A	CLONED FROM 220-02026-01		LA				2/8/02
01A	CLONED FROM 226-00227-05		PG				4/6/02
REV/ISS	AMENDMENTS		DRAWN	CHKD	D.O.	APVD	DATE

© TAIT ELECTRONICS A1  
**TB8000 SYSTEM INTERFACE CONNECTORS & MISC.**  
 IPN: A ISSUE: A VARIANT NUMBER: ?  
 220-02026-06  
 FILE DATE: Wed Oct 20 13:50:04 2004  
 ENGINEER: ML FILE NAME: 220\_02026 SHEET NUMBER: 1 OF 6



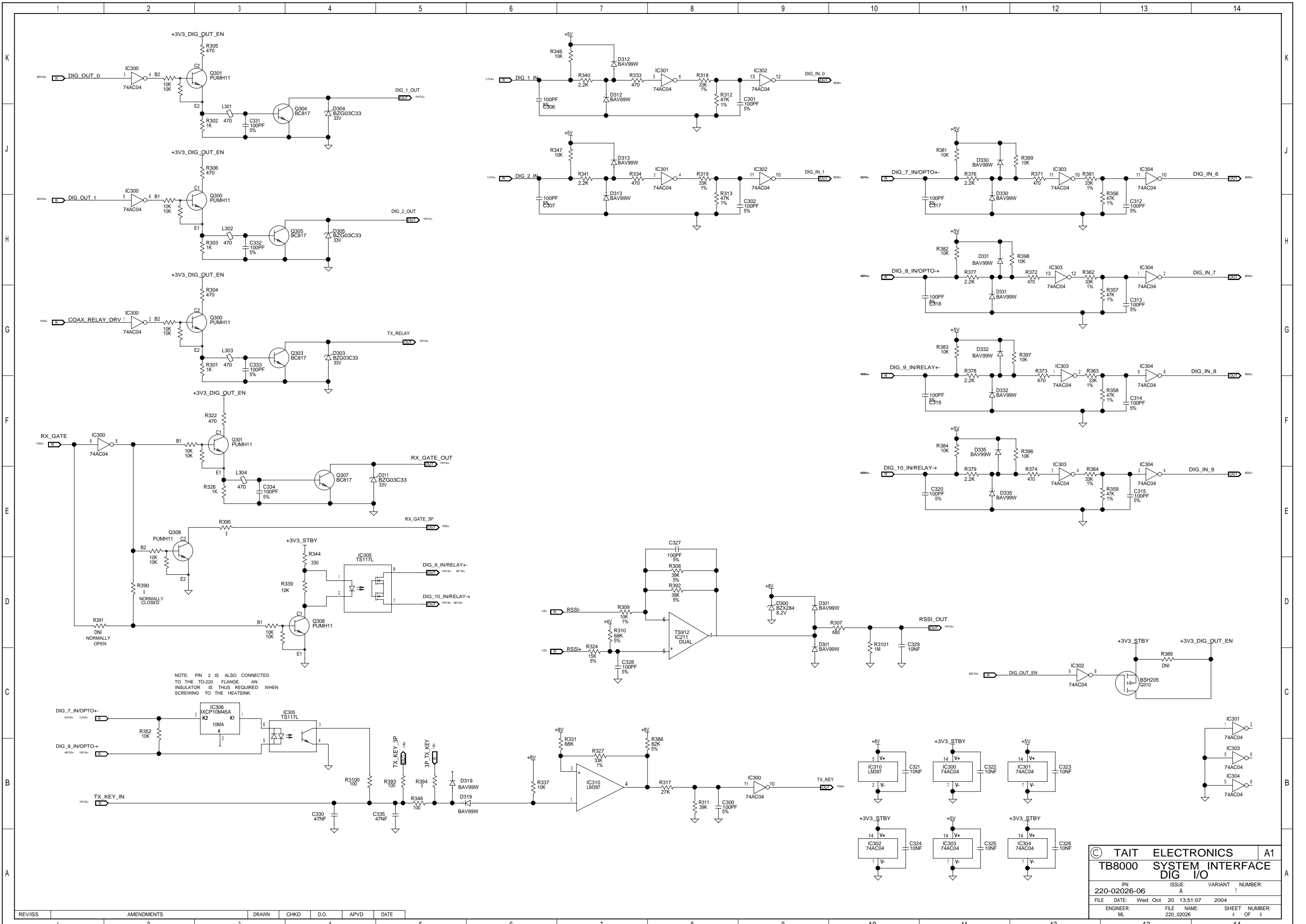
© TAIT ELECTRONICS		A1
TB8000 SYSTEM INTERFACE AUDIO OUTPUTS		
IPN: 220-02026-06	ISSUE: A	VARIANT NUMBER: 1
FILE DATE: Wed Oct 20 13:50:21 2004		
ENGINEER: ML	FILE NAME: 220_02026	SHEET NUMBER: 2 OF 6

REV/ISS	AMENDMENTS	DRAWN	CHKD	D.O.	APVD	DATE
1						
2						
3						
4						
5						
6						
7						
8						
9						
10						
11						
12						
13						
14						



© TAIT ELECTRONICS		A1
TB8000 SYSTEM INTERFACE AUDIO INPUTS		
IPN: 220-02026-06	ISSUE: A	VARIANT NUMBER: 1
FILE DATE: Wed Oct 20 13:50:39 2004		
ENGINEER: ML	FILE NAME: 220_02026	SHEET NUMBER: 3 OF 6

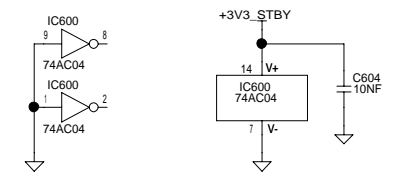
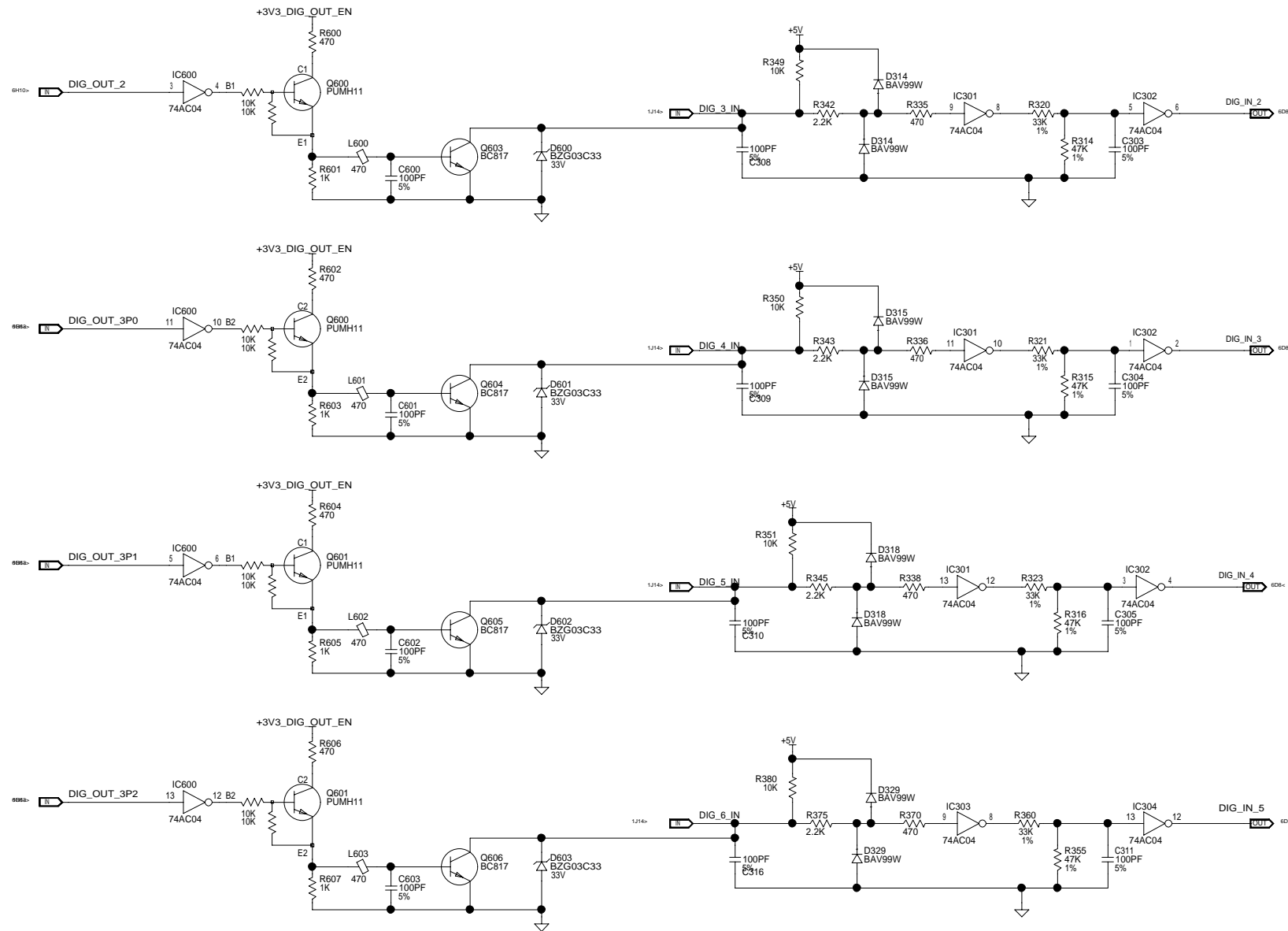
REV/ISS	AMENDMENTS	DRAWN	CHKD	D.O.	APVD	DATE
1						



NOTE: PIN 2 IS ALSO CONNECTED TO THE TO-220 FLANGE. AN INSULATOR IS THUS REQUIRED WHEN SCREWING TO THE HEATSINK.

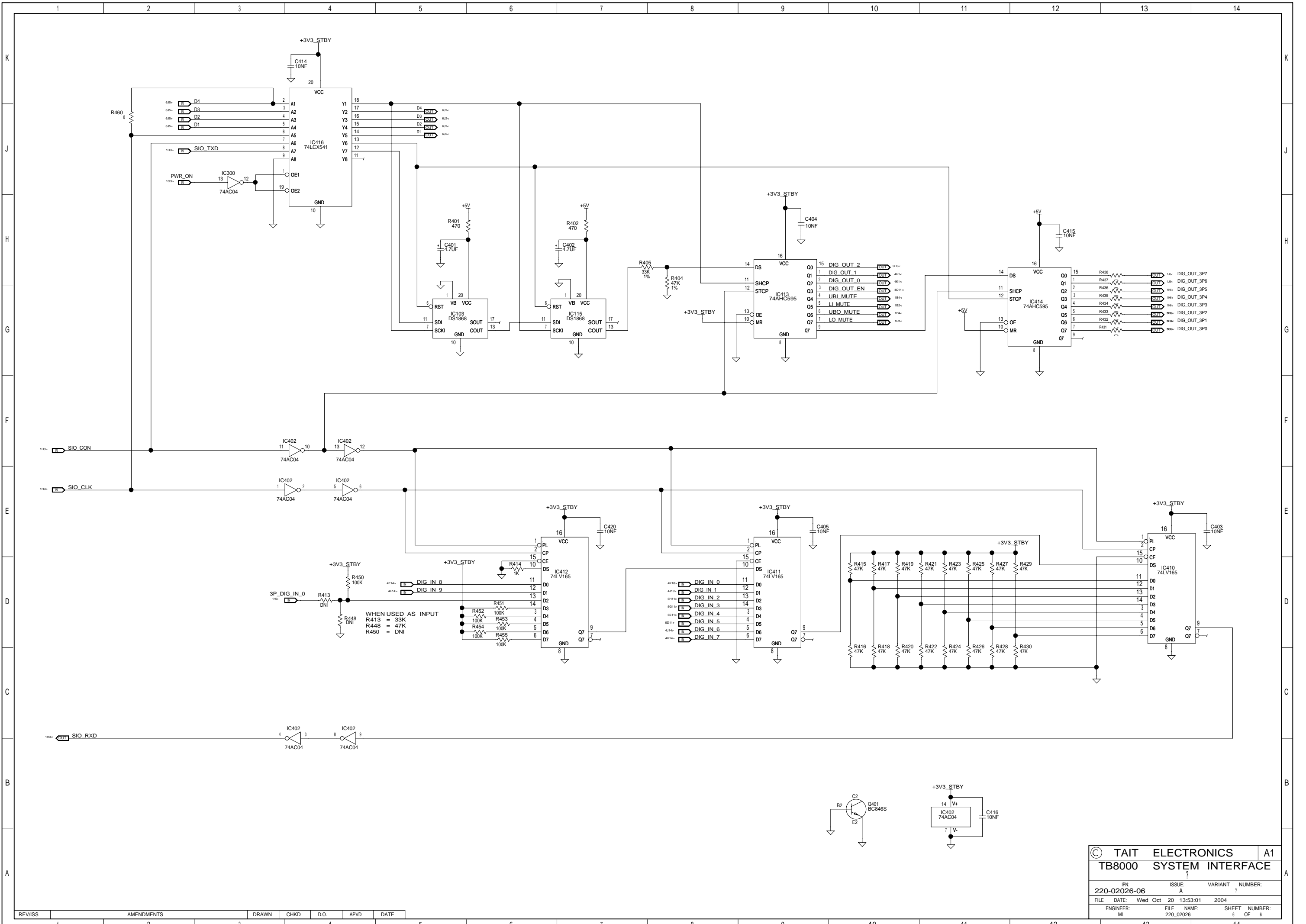
© TAIT ELECTRONICS		A1
TB8000 SYSTEM INTERFACE DIG I/O		
IPN: 220-02026-06	ISSUE: A	VARIANT NUMBER: 1
FILE DATE: Wed Oct 20 13:51:07 2004		
ENGINEER: ML	FILE NAME: 220_02026	SHEET NUMBER: 4 OF 6

REV/ISS	AMENDMENTS	DRAWN	CHKD	D.O.	APVD	DATE
1						



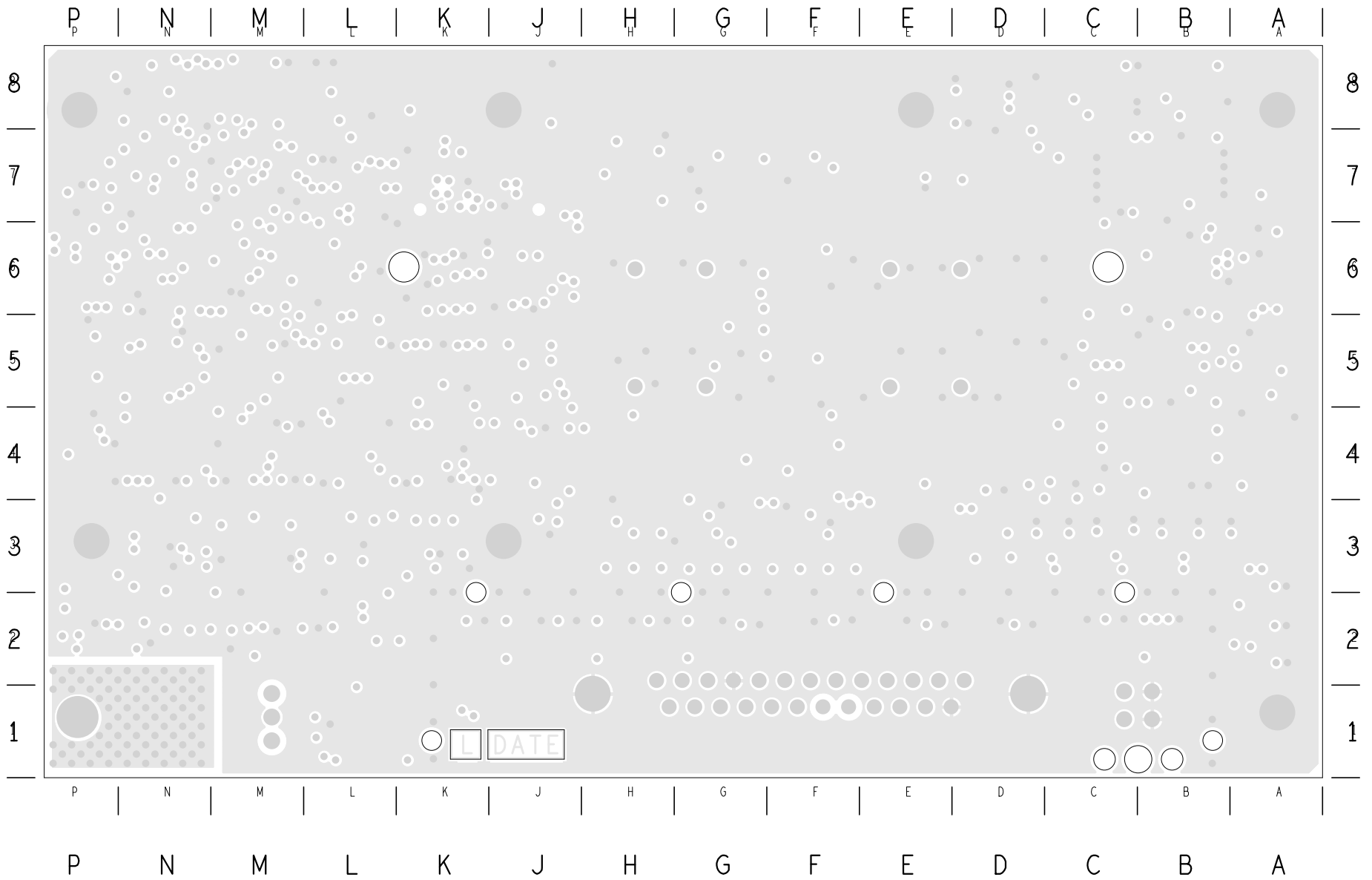
© TAIT ELECTRONICS		A1
TB8000 SYSTEM INTERFACE DIGITAL		
IPN: 220-02026-06	ISSUE: A	VARIANT NUMBER: 1
FILE DATE: Wed Oct 20 13:52:43 2004		
ENGINEER: ML	FILE NAME: 220_02026	SHEET NUMBER: 5 OF 6

REV/ISS	AMENDMENTS	DRAWN	CHKD	D.O.	APVD	DATE
1						
2						
3						
4						
5						
6						
7						
8						
9						
10						
11						
12						
13						
14						



REV/ISS	AMENDMENTS	DRAWN	CHKD	D.O.	APVD	DATE
1						
2						
3						
4						
5						
6						
7						
8						
9						
10						
11						
12						
13						
14						





TAIT ELECTRONICS	IPN: 220-02026-06	ISS: A	DATE: 150c+04	SCALE: NTS
TB8000 SYSTEM INTERFACE LAYOUT-SECONDARY-SIDE				